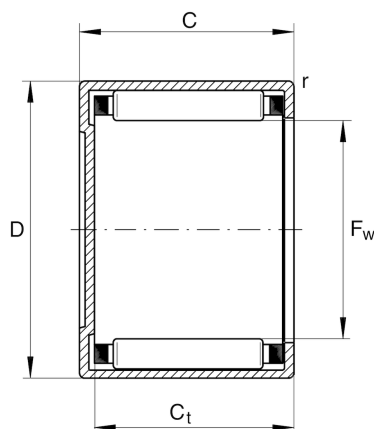
**BK0810-B**

Drawn cup needle roller bearing closed end

Schaeffler ID:
0011976650000Drawn cup needle roller bearings with
closed end BK, to DIN 618/ISO 3245

Technical information

**Main Dimensions & Performance Data**

F_w	8 mm	Under roller diameter
D	12 mm	Outside diameter
C	10 mm	Width, outer ring
C_r	3,800 N	Basic dynamic load rating, radial
C_{0r}	3,950 N	Basic static load rating, radial
C_{ur}	510 N	Fatigue load limit, radial
n_G	29,500 1/min	Limiting speed
$n_{G \text{ Grease}}$	17,700 1/min	Limiting speed for grease lubrication
n_{gr}	23,200 1/min	Reference speed
	3.339 g	Weight

Additional information

r_{\min}	0.4 mm	Minimum chamfer dimension
$C_{t \min}$	8.4 mm	Minimum width to base of drawn cup with closed end
	G8X12X3	Sealing ring 2
	IR5X8X12-XL	Suitable inner rings IR

Temperature range

T_{\min}	-30 °C	Operating temperature min.
T_{\max}	140 °C	Operating temperature max.